

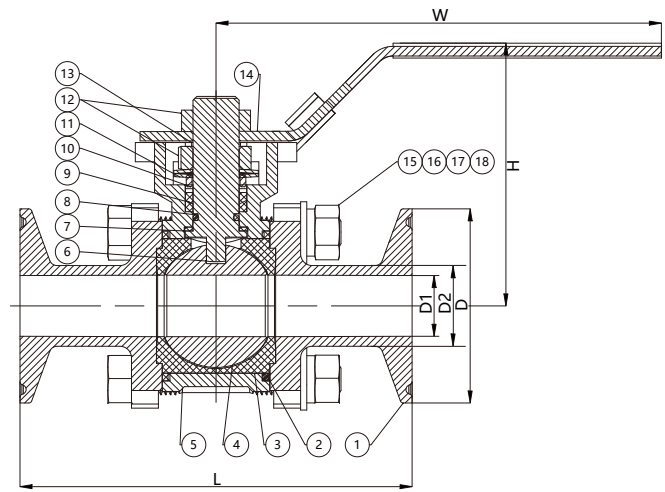
Ball Valves PN16/232PSI

Three-Piece, Clamp Connection
 Seal Material Comply to FDA177.1210/2600
 Dimensions to ISO2852, DIN32676
 Temperature Range: -20°C~120°C/-4°F~248°F



BL7126-C

Materials		
No.	Part	Specification
1	Bonnet	ANSI 304/316L
2	Spacer Ring	PTFE
3	Seat	PTFE
4	Ball	ANSI 304/316L
5	Body	ANSI 304/316L
6	Stem	ANSI 304/316
7	Stem Washer	PTFE
8	O-Ring	EPDM
9	Packing	PTFE
10	Packing Bushing	ANSI 304
11	Spring	ANSI 304
12	Hexagonal Nut	ANSI 304
13	Handle Gasket	ANSI 304
14	Handle	ANSI 304
15	Hexagon Bolt	ANSI 304
16	Gasket	ANSI 304
17	Elastic Gasket	ANSI 304
18	Hexagonal Nut	ANSI 304



- * The valve body material can be selected as 304 or 316.
- Clean system seat seals are available in half or full wrap.
- ISO 5211 mounting pad is a non-standard configuration and must be confirmed when ordering.

Dimensions (ISO/DIN)									
Size/In	L ISO/DIN	W ISO/DIN	D ISO/DIN	D1 ISO/DIN	D2	H ISO/DIN	ISO5211	Kv	Torque N.m
½	90/102	131	34	9.7/16	12.7	62/69	F03/F04	21	8
¾	102	131	34/50.5	16.1/20	19.1	69	F03/F04	38	8
1	115	170	50.5	22.4/25	25.4	91	F04/F05	72	18
1¼	125	170	50.5	28.8/32	31.8	97	F04/F05	112	18
1½	138	180	50.5	35.1/38	38.1	117	F05/F07	170	25
2	156	217	64	47.8/49	50.8	125	F05/F07	273	30
2½	170/180	250/325	77.5/91	59.5/66	63.5	141	F07/F10	384	40
3	197/220	325	91/106	72.1/81	76.2	156	F07/F10	512	50
4	242	325	119	97.6/100	101.6	173	F07/F10	940	80

◆Please consult the factory for 3A and other standard sizes such as ASME BPE, BS4825, etc.